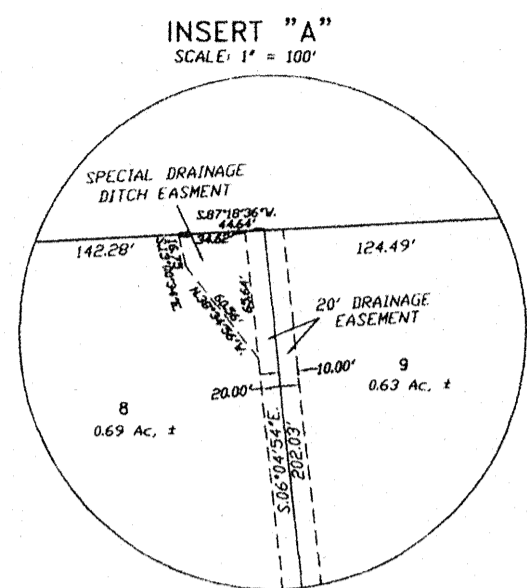


'FOREST COUNTRY 6th ADDITION'
 IN SECTION 21 & 22, TOWNSHIP 4 SOUTH, RANGE 16 EAST,
 COLUMBIA COUNTY, FLORIDA

PLAT BOOK 9
 PAGES 61
 SHEET 2 OF 2

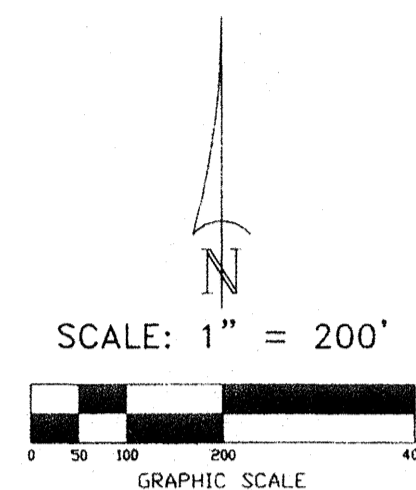


MINIMUM FLOOR ELEVATION
 AS PER WATER MANAGEMENT PLANS

LOT 1	106.00'	LOT 21	107.70'
LOT 2	104.10'	LOT 22	105.50'
LOT 3	103.80'	LOT 23	102.10'
LOT 4	103.40'	LOT 24	95.50'
LOT 5	102.40'	LOT 25	95.10'
LOT 6	100.40'	LOT 26	100.00'
LOT 7	96.50'	LOT 27	103.50'
LOT 8	93.70'	LOT 28	104.00'
LOT 9	89.50'	LOT 29	104.00'
LOT 10	93.00'	LOT 30	104.30'
LOT 11	102.10'	LOT 31	104.50'
LOT 12	105.50'	LOT 32	104.70'
LOT 13	108.80'	LOT 33	108.00'
LOT 14	110.70'		
LOT 15	110.70'		
LOT 16	110.40'		
LOT 17	109.70'		
LOT 18	109.70'		
LOT 19	110.70'		
LOT 20	110.40'		

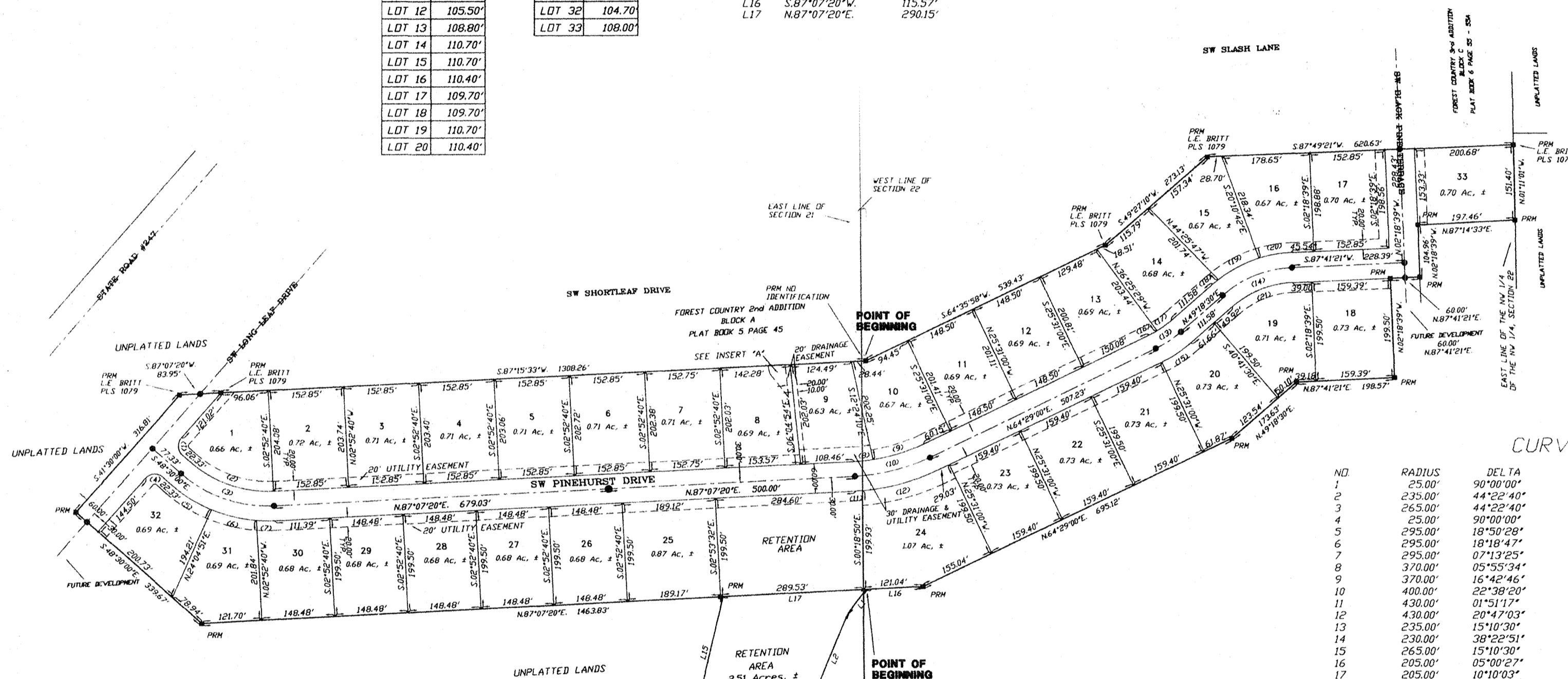
LINE TABLE

Line	Bearing	Distance
L1	S37°21'17\"W	60.38'
L2	S22°45'31\"W	190.58'
L3	S36°59'14\"W	110.84'
L4	S48°32'34\"W	69.94'
L5	S20°22'55\"W	159.58'
L6	S33°28'06\"W	42.70'
L7	S61°11'24\"W	52.51'
L8	S30°20'15\"W	61.08'
L9	N62°34'07\"W	50.07'
L10	N21°20'28\"E	60.80'
L11	N06°46'49\"E	80.19'
L12	N34°47'00\"E	98.01'
L13	N06°42'49\"E	76.73'
L14	N06°37'40\"E	47.51'
L15	N13°16'09\"E	236.51'
L16	S87°07'20\"W	115.57'
L17	N87°07'20\"E	290.15'



- SYMBOL LEGEND:**
- PRM PERMANENT REFERENCE MONUMENT
 - PLS PROFESSIONAL LAND SURVEYOR
 - CL CENTERLINE
 - 4\"X4\" CONCRETE MONUMENT
 - MFE MINIMUM FLOOR ELEVATION
 - TYP TYPICAL
 - PERMANENT CONTROL POINT
 - AC,± ACREAGE

UNLESS OTHERWISE SHOWN HEREON ALL CORNERS SHOWN HEREON ARE L.S. BRITT PLS #5757



CURVE TABLE

NO	RADIUS	DELTA	ARC	TANGENT	CHORD	CHORD BEARING
1	25.00'	90°00'00"	39.27'	25.00'	35.36'	N03°30'00\"W
2	235.00'	44°22'40"	182.02'	95.85'	177.50'	N70°41'20\"W
3	265.00'	44°22'40"	205.25'	108.08'	200.16'	N70°41'20\"W
4	25.00'	90°00'00"	39.27'	25.00'	35.36'	N86°30'00\"E
5	295.00'	18°50'29"	97.01'	48.95'	96.57'	S57°55'14\"E
6	295.00'	18°18'47"	94.29'	47.55'	93.89'	S76°29'52\"E
7	295.00'	07°13'25"	37.19'	18.62'	37.19'	S89°15'58\"E
8	370.00'	05°55'34"	38.27'	19.15'	38.25'	N84°09'33\"E
9	370.00'	16°42'46"	107.93'	54.35'	107.93'	N72°50'23\"E
10	400.00'	22°38'20"	158.05'	80.07'	157.02'	S75°48'10\"W
11	430.00'	01°51'17"	6.96'	13.92'	6.96'	N86°11'42\"E
12	430.00'	20°47'03"	155.98'	78.86'	155.13'	N74°52'32\"E
13	235.00'	15°10'30"	62.24'	31.30'	62.06'	S56°53'45\"W
14	230.00'	38°22'51"	154.07'	80.05'	151.21'	N68°29'55\"E
15	265.00'	15°10'30"	70.19'	35.30'	69.98'	S56°53'45\"W
16	205.00'	05°00'27"	17.92'	8.96'	17.92'	N61°58'47\"E
17	205.00'	10°10'03"	36.38'	18.24'	36.33'	N54°23'32\"E
18	260.00'	03°07'14"	14.16'	7.08'	14.16'	N50°52'07\"E
19	260.00'	20°31'42"	93.15'	47.08'	92.66'	N62°41'35\"E
20	260.00'	14°43'55"	66.85'	33.61'	66.67'	N80°19'23\"E
21	200.00'	38°22'51"	133.97'	69.61'	131.48'	N68°29'55\"E

CERTIFICATE OF CLERK OF CIRCUIT COURT:

THIS PLAT HAVING BEEN APPROVED BY THE COLUMBIA COUNTY BOARD OF COUNTY COMMISSIONERS IS ACCEPTED FOR FILE AND RECORDED THIS DAY OF April, 2008, A.D. IN PLAT BOOK 9, PAGE (60-67)

[Signature]
 CLERK OF COURT, COLUMBIA COUNTY, FLORIDA

COUNTY ATTORNEY CERTIFICATE:

I HEREBY CERTIFY THAT I HAVE EXAMINED THE FORGOING PLAT AND THAT IT COMPLIES IN FORM WITH THE COLUMBIA COUNTY SUBDIVISION ORDINANCE AND CHAPTER 177 OF THE FLORIDA STATUTES.

DATE: March 19, 2008

[Signature]
 COUNTY ATTORNEY

APPROVAL STATE OF FLORIDA, COUNTY OF COLUMBIA:

THIS PLAT IS HEREBY APPROVED BY THE COLUMBIA COUNTY COMMISSION THIS DAY OF JANUARY 17, 2008, A.D.

[Signature]
 CHAIRMAN

NOTICE:
 THIS PLAT AS RECORDED IN ITS GRAPHICAL FORM, IS THE OFFICIAL DEPICTION OF THE SUBDIVIDED LANDS DESCRIBED HEREIN AND WILL IN NO CIRCUMSTANCES BE SUPPLANTED IN AUTHORITY BY OTHER GRAPHICAL OR DIGITAL FORM OF THE PLAT. THERE MAY BE ADDITIONAL RESTRICTIONS THAT ARE NOT RECORDED ON THIS PLAT THAT MAY BE FOUND IN THE PUBLIC RECORDS OF THIS COUNTY.

DEVELOPER:
 STEVENS FAMILY
 386-752-5307
 5159 SW STATE ROAD #247
 LAKE CITY, FL 32024



BRITT SURVEYING & ASSOCIATES, INC.

LAND SURVEYORS AND MAPPERS
 830 WEST DUVAL STREET LAKE CITY, FLORIDA 32055
 (386)752-7163 FAX (386)752-5373

WORK ORDER # L-16670

OFFICIAL RECORDS
 BOOK 1148 PAGE 1234

'FOREST COUNTRY 6th ADDITION'

IN SECTION 21 & 22, TOWNSHIP 4 SOUTH, RANGE 16 EAST, COLUMBIA COUNTY, FLORIDA

PLAT BOOK 9
PAGES 66
SHEET 1 OF 2

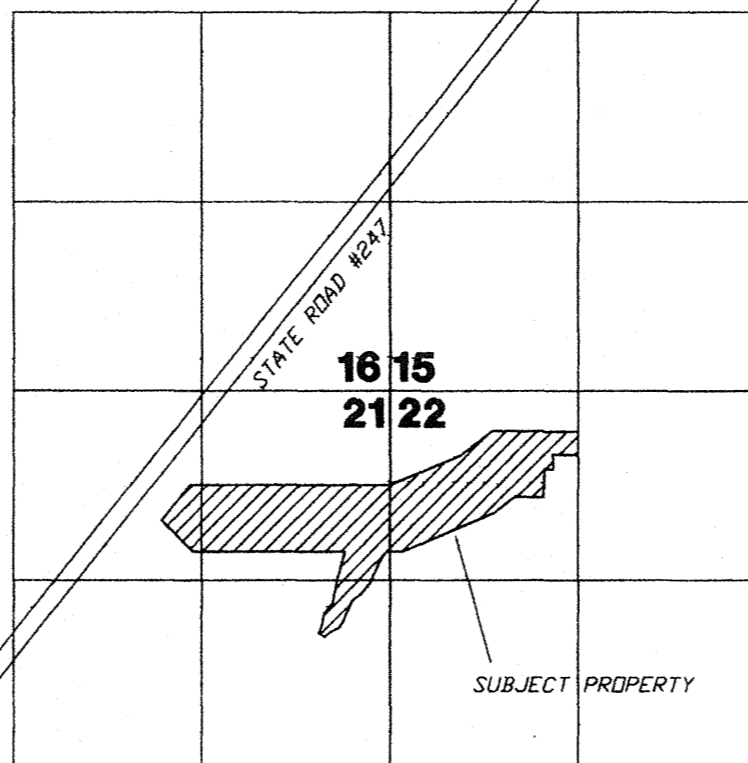
DEDICATION

KNOW ALL MEN BY THESE PRESENT THAT ALEX H. STEVENS, PATRICIA S. BIELLING, DON RICHARD STEVENS, BRANTLEY T. STEVENS, AND LISA S. BRINKLEY, AS OWNERS, AND BLONDINA M. STEVENS AS MORTGAGEE, HAVE CAUSED THE LANDS HEREIN DESCRIBED, TO BE SURVEYED, SUBDIVIDED AND PLATTED, TO BE KNOWN AS 'FOREST COUNTRY 6th ADDITION', AND THAT ALL ROADS, STREETS, RETENTION AREAS, STORM WATER BASINS, AND ALL EASEMENTS FOR UTILITIES, DRAINAGE AND OTHER PURPOSES INCIDENT THERETO AS SHOWN AND/OR DEPICTED HEREIN, AND ARE HEREBY DEDICATED FOR THE PERPETUAL USE OF THE PUBLIC.

ATTESTS

Witness signatures for Alex H. Stevens, Patricia S. Bielling, Don Richard Stevens, Brantley T. Stevens, Lisa S. Brinkley, and Blondina M. Stevens.

SECTION 21 & 22, TOWNSHIP 4 SOUTH, RANGE 16 EAST.



LOCATION SKETCH NOT TO SCALE

APPROVAL PUBLIC WORKS DEPARTMENT, STATE OF FLORIDA, COUNTY OF COLUMBIA

I HEREBY CERTIFY THAT THE IMPROVEMENTS HAVE BEEN CONSTRUCTED IN AN ACCEPTABLE MANNER AND IN ACCORDANCE WITH COUNTY SPECIFICATIONS AND THAT A MAINTENANCE AND REPAIR SURETY OR CASH BOND IN THE AMOUNT OF \$10,000 OR THAT A PERFORMANCE BOND OR INSTRUMENT IN THE AMOUNT OF \$ HAS BEEN POSTED TO ASSURE COMPLETION OF ALL REQUIRED IMPROVEMENTS IN CASE OF DEFAULT.

Signature of Wayne Condon, Director of Public Works, dated 3/26/2008.

DESCRIPTION

A PART OF SECTION 21, AND A PART OF SECTION 22, ALL IN TOWNSHIP 4 SOUTH, RANGE 16 EAST, COLUMBIA COUNTY, FLORIDA, MORE PARTICULARLY AS FOLLOWS: BEGIN AT THE SOUTHERLY MOST CORNER COMMON TO LOTS 7 AND 8 OF BLOCK 'A' OF FOREST COUNTRY SECOND ADDITION AS PER PLAT THEREOF RECORDED IN PLAT BOOK 5, PAGE 45 OF THE PUBLIC RECORDS OF COLUMBIA COUNTY, FLORIDA AND RUN S.87°15'33"W, ALONG THE SOUTH LINE OF SAID BLOCK 'A', 1308.26 FEET; THENCE S.87°07'20"W, ALONG THE EXTENSION THE SOUTH LINE OF SAID BLOCK 'A', 83.95 FEET TO THE WESTERLY RIGHT-OF-WAY LINE OF LINGLEAF BOULEVARD; THENCE S.41°30'00"W, ALONG SAID RIGHT-OF-WAY A DISTANCE OF 316.81 FEET; THENCE S.48°30'00"E, A DISTANCE OF 339.67 FEET; THENCE N.87°07'20"E, A DISTANCE OF 1463.83 FEET; THENCE N.64°29'00"E, A DISTANCE OF 695.12 FEET; THENCE N.49°18'30"E, A DISTANCE OF 173.63 FEET; THENCE N.87°41'21"E, A DISTANCE OF 198.57 FEET; THENCE N.02°18'39"W, A DISTANCE OF 199.50 FEET; THENCE N.87°41'21"E, A DISTANCE OF 60.00 FEET; THENCE N.02°18'39"W, A DISTANCE OF 104.96 FEET; THENCE N.87°14'33"E, A DISTANCE OF 197.46 FEET; THENCE N.01°11'01"W, A DISTANCE OF 151.40 FEET; THENCE S.87°49'21"W, A DISTANCE OF 620.63 FEET; THENCE S.49°27'10"W, ALONG SAID SOUTH LINE OF BLOCK 'A', A DISTANCE OF 273.13 FEET; THENCE S.64°35'58"W, STILL ALONG SAID SOUTH LINE OF BLOCK 'A', A DISTANCE OF 539.43 FEET TO THE POINT OF BEGINNING, CONTAINING 29.14 ACRES MORE OR LESS.

ALSO (RETENTION AREA)

A PART OF SECTION 21, AND A PART OF SECTION 22, ALL IN TOWNSHIP 4 SOUTH, RANGE 16 EAST, COLUMBIA COUNTY, FLORIDA, MORE PARTICULARLY DESCRIBED AS FOLLOWS: COMMENCE AT THE SOUTHERLY MOST CORNER COMMON TO LOTS 7 AND 8 OF BLOCK 'A' OF FOREST COUNTRY SECOND ADDITION AS PER PLAT THEREOF RECORDED IN PLAT BOOK 5, PAGE 45 OF THE PUBLIC RECORDS OF COLUMBIA COUNTY, FLORIDA AND RUN THENCE N.64°35'58"E, ALONG THE SOUTH LINE OF BLOCK 'A', A DISTANCE OF 539.43 FEET; THENCE N.49°27'10"E, ALONG SAID SOUTH LINE OF BLOCK 'A', A DISTANCE OF 151.40 FEET; THENCE S.87°49'21"E, A DISTANCE OF 620.63 FEET; THENCE S.01°11'01"E, A DISTANCE OF 151.40 FEET; THENCE S.87°14'33"W, A DISTANCE OF 197.46 FEET; THENCE S.02°18'39"E, A DISTANCE OF 104.96 FEET; THENCE S.87°41'21"W, A DISTANCE OF 60.00 FEET; THENCE S.02°18'39"E, A DISTANCE OF 198.50 FEET; THENCE S.87°41'21"W, A DISTANCE OF 198.57 FEET; THENCE S.49°18'30"W, A DISTANCE OF 173.63 FEET; THENCE S.64°29'00"W, A DISTANCE OF 695.12 FEET; THENCE RUN S.87°07'20"W, A DISTANCE OF 115.57 FEET TO THE POINT OF BEGINNING; THENCE S.37°21'17"W, A DISTANCE OF 60.38 FEET; THENCE S.22°45'31"W, A DISTANCE OF 190.58 FEET; THENCE S.36°59'14"W, A DISTANCE OF 110.84 FEET; THENCE S.48°32'34"W, A DISTANCE OF 69.94 FEET; THENCE S.20°22'55"W, A DISTANCE OF 159.58 FEET; THENCE S.33°28'06"W, A DISTANCE OF 42.70 FEET; THENCE S.61°11'24"W, A DISTANCE OF 52.51 FEET; THENCE S.50°20'15"W, A DISTANCE OF 61.08 FEET; THENCE N.62°34'07"W, A DISTANCE OF 50.07 FEET; THENCE N.21°20'28"E, A DISTANCE OF 60.00 FEET; THENCE N.06°46'49"E, A DISTANCE OF 80.19 FEET; THENCE N.34°47'00"E, A DISTANCE OF 98.01 FEET; THENCE N.06°42'49"E, A DISTANCE OF 76.73 FEET; THENCE N.06°37'40"E, A DISTANCE OF 47.51 FEET; THENCE N.13°16'09"E, A DISTANCE OF 236.61 FEET; THENCE N.87°07'20"E, A DISTANCE OF 290.15 FEET TO THE POINT OF BEGINNING, CONTAINING 2.51 ACRES MORE OR LESS.

CONTAINING A TOTAL ACREAGE OF 31.65 ACRES MORE OR LESS.

CERTIFICATE OF COUNTY SURVEYOR

KNOW ALL MEN BY THESE PRESENT, THAT THE UNDERSIGNED, BEING A LICENSED AND REGISTERED LAND SURVEYOR, AS PROVIDED UNDER CHAPTER 472, FLORIDA STATUTES AND IS IN GOOD STANDING WITH THE BOARD OF LAND SURVEYORS, DOES HEREBY CERTIFY ON BEHALF OF COLUMBIA COUNTY, FLORIDA ON THE DATE BELOW I HAVE REVIEWED THIS PLAT FOR CONFORMITY WITH CHAPTER 177 FLORIDA STATUTES, AND SAID PLAT MEETS ALL THE REQUIREMENTS OF CHAPTER 177 AS AMENDED.

Name: Timothy A. DeLungo, Date: 1/18/08, Registration #: 5594

SURVEYOR'S CERTIFICATE

I HEREBY CERTIFY THIS TO BE A TRUE AND CORRECT REPRESENTATION OF THE LAND SURVEYED AND SHOWN HEREON, THAT THE SURVEY WAS MADE UNDER MY RESPONSIBLE SUPERVISION, DIRECTION AND CONTROL, THAT PERMANENT REFERENCE MONUMENTS HAVE BEEN SET AS SHOWN AND THAT SURVEY DATA COMPLIES WITH THE COLUMBIA COUNTY, SUBDIVISION ORDINANCE AND CHAPTER 177 OF THE FLORIDA STATUTES.

Signature of L. Scott Britt, PSM #5757, dated 1-16-07.

ACKNOWLEDGMENT, STATE OF FLORIDA, COUNTY OF COLUMBIA

I HEREBY CERTIFY THAT ON THIS 14th DAY OF January, 2008 A.D., BEFORE ME PERSONALLY APPEARED ALEX H. STEVENS, AS OWNER, TO ME KNOWN TO BE THE PERSON DESCRIBED IN AND WHO EXECUTED THE FORGOING DEDICATION AND ACKNOWLEDGED THE EXECUTION THEREOF TO BE HIS/HER FREE ACT AND DEED FOR THE USES AND PURPOSES THEREIN EXPRESSED. IN WITNESS WHEREOF I HAVE SET MY HAND AND SEAL ON THE ABOVE DATE.

Signature of Alex H. Stevens, Notary Public, State of Florida at Large.

ACKNOWLEDGMENT, STATE OF FLORIDA, COUNTY OF COLUMBIA

I HEREBY CERTIFY THAT ON THIS 15th DAY OF January, 2008 A.D., BEFORE ME PERSONALLY APPEARED PATRICIA S. BIELLING, AS OWNER, TO ME KNOWN TO BE THE PERSON DESCRIBED IN AND WHO EXECUTED THE FORGOING DEDICATION AND ACKNOWLEDGED THE EXECUTION THEREOF TO BE HIS/HER FREE ACT AND DEED FOR THE USES AND PURPOSES THEREIN EXPRESSED. IN WITNESS WHEREOF I HAVE SET MY HAND AND SEAL ON THE ABOVE DATE.

Signature of Patricia S. Bielling, Notary Public, State of Florida at Large.

ACKNOWLEDGMENT, STATE OF FLORIDA, COUNTY OF COLUMBIA

I HEREBY CERTIFY THAT ON THIS 15th DAY OF January, 2008 A.D., BEFORE ME PERSONALLY APPEARED DON RICHARD STEVENS, AS OWNER, TO ME KNOWN TO BE THE PERSON DESCRIBED IN AND WHO EXECUTED THE FORGOING DEDICATION AND ACKNOWLEDGED THE EXECUTION THEREOF TO BE HIS/HER FREE ACT AND DEED FOR THE USES AND PURPOSES THEREIN EXPRESSED. IN WITNESS WHEREOF I HAVE SET MY HAND AND SEAL ON THE ABOVE DATE.

Signature of Don Richard Stevens, Notary Public, State of Florida at Large.

SURVEYOR'S NOTE

- 1. BOUNDARY BASED ON SURVEY DATA FOUND.
2. BEARINGS ARE BASED ON AN ASSUMED BEARING OF S.87°07'20"W FOR THE NORTH LINE OF BLOCK 'A' OF FOREST COUNTRY SECOND ADDITION.
3. THIS PARCEL IS IN ZONE 'X' AND IS DETERMINED TO BE OUTSIDE THE 500 YEAR FLOOD PLAIN AS PER FLOOD RATE MAP, DATED 6 JANUARY, 1988 COMMUNITY PANEL NUMBER 120070 0175 B. HOWEVER, THE FLOOD INSURANCE RATE MAPS ARE SUBJECT TO CHANGE.
4. IF THEY EXIST, NO UNDERGROUND ENCROACHMENTS AND/OR UTILITIES WERE LOCATED FOR THIS SURVEY EXCEPT AS SHOWN HEREIN.
5. THIS SURVEY WAS COMPLETED WITHOUT THE BENEFIT OF A TITLE COMMITMENT OR A TITLE POLICY.
6. EASEMENTS ARE AS SHOWN HEREON.
7. THERE MAY BE ADDITIONAL RESTRICTIONS THAT ARE NOT RECORDED ON THIS PLAT THAT MAY BE FOUND IN THE PUBLIC RECORDS OF COLUMBIA COUNTY.
8. SURVEY CLOSURE PRECISION EXCEEDS THE REQUIREMENTS OF THE MINIMUM TECHNICAL STANDARDS FOR SURVEYING IN THE STATE OF FLORIDA.
9. PRELIMINARY PLAN APPROVED ON JUNE 15 2006.

NOTICE

ALL PLATTED UTILITY EASEMENTS SHALL PROVIDE THAT SUCH EASEMENTS SHALL ALSO BE FOR THE CONSTRUCTION, INSTALLATION, MAINTENANCE, AND OPERATION OF CABLE TELEVISION SERVICES PROVIDED, HOWEVER, NO SUCH CONSTRUCTION, INSTALLATION, MAINTENANCE, AND OPERATION OF CABLE TELEVISION SERVICES SHALL INTERFERE WITH THE FACILITIES AND SERVICES OF ELECTRIC, TELEPHONE, GAS OR OTHER PUBLIC UTILITY IN THE EVENT THAT A CABLE TELEVISION COMPANY DAMAGES THE FACILITIES OF A PUBLIC UTILITY, IT SHALL BE SOLELY RESPONSIBLE FOR THE DAMAGES.

ACKNOWLEDGMENT, STATE OF FLORIDA, COUNTY OF COLUMBIA

I HEREBY CERTIFY THAT ON THIS 16th DAY OF January, 2008 A.D., BEFORE ME PERSONALLY APPEARED BRANTLEY T. STEVENS, AS OWNER, TO ME KNOWN TO BE THE PERSON DESCRIBED IN AND WHO EXECUTED THE FORGOING DEDICATION AND ACKNOWLEDGED THE EXECUTION THEREOF TO BE HIS/HER FREE ACT AND DEED FOR THE USES AND PURPOSES THEREIN EXPRESSED. IN WITNESS WHEREOF I HAVE SET MY HAND AND SEAL ON THE ABOVE DATE.

Signature of Brantley T. Stevens, Notary Public, State of Florida at Large.

ACKNOWLEDGMENT, STATE OF FLORIDA, COUNTY OF COLUMBIA

I HEREBY CERTIFY THAT ON THIS 15th DAY OF January, 2008 A.D., BEFORE ME PERSONALLY APPEARED LISA S. BRINKLEY, AS OWNER, TO ME KNOWN TO BE THE PERSON DESCRIBED IN AND WHO EXECUTED THE FORGOING DEDICATION AND ACKNOWLEDGED THE EXECUTION THEREOF TO BE HIS/HER FREE ACT AND DEED FOR THE USES AND PURPOSES THEREIN EXPRESSED. IN WITNESS WHEREOF I HAVE SET MY HAND AND SEAL ON THE ABOVE DATE.

Signature of Lisa S. Brinkley, Notary Public, State of Florida at Large.

ACKNOWLEDGMENT, STATE OF FLORIDA, COUNTY OF COLUMBIA

I HEREBY CERTIFY THAT ON THIS 15th DAY OF January, 2008 A.D., BEFORE ME PERSONALLY APPEARED BLONDINA M. STEVENS, AS OWNER, TO ME KNOWN TO BE THE PERSON DESCRIBED IN AND WHO EXECUTED THE FORGOING DEDICATION AND ACKNOWLEDGED THE EXECUTION THEREOF TO BE HIS/HER FREE ACT AND DEED FOR THE USES AND PURPOSES THEREIN EXPRESSED. IN WITNESS WHEREOF I HAVE SET MY HAND AND SEAL ON THE ABOVE DATE.

Signature of Blondina M. Stevens, Notary Public, State of Florida at Large.

NOTICE: THIS PLAT AS SHOWN ON ITS GRAPHICAL FORM, IS THE OFFICIAL DEPICTION OF THE SUBDIVIDED LANDS DESCRIBED HEREIN AND WILL IN NO CIRCUMSTANCES BE SUPPLANTED IN AUTHORITY BY OTHER GRAPHICAL OR DIGITAL FORM OF THE PLAT. THERE MAY BE ADDITIONAL RESTRICTIONS THAT ARE NOT RECORDED ON THIS PLAT THAT MAY BE FOUND IN THE PUBLIC RECORDS OF THIS COUNTY.

DEVELOPER:

STEVENS FAMILY
386-752-5307
5159 SW STATE ROAD #247
LAKE CITY, FL 32024



BRITT SURVEYING & ASSOCIATES, INC.

LAND SURVEYORS AND MAPPERS
830 WEST DUVAL STREET LAKE CITY, FLORIDA 32055
(386)752-7163 FAX (386)752-5573

WORK ORDER # L-16670

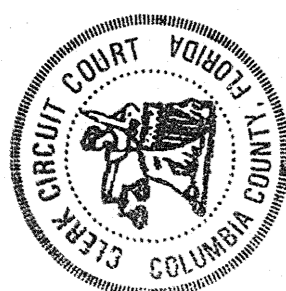
OFFICIAL RECORDS

BOOK 1198 PAGE 1234

FILE NUMBER 200812000470
FILED AND RECORDED IN THE OFFICIAL RECORDS OF COLUMBIA COUNTY, FLORIDA

4/18/08 10:02:00 AM

RECORD VERIFIED
P. DEWITT CASON
CLERK OF COURTS
COLUMBIA COUNTY, FLORIDA



“FOREST COUNTRY 6TH ADDITION”
FOR 2009

PARENT PARCELS – 21-4S-16-03080-000 – 26.33 AC – 16.22 = 10.11 AC. LEFT
21-4S-16-03082-003 – 283.00 AC – 10.70 = 272.30 AC. LEFT
22-4S-16-03087-001 – 115.00 AC – 12.30 = 102.70 AC. LEFT

HEADER PARCEL – 21-4S-16-03087-100 – A S/D LYING IN THE S1/2 OF SEC 21-4S-16 & ALSO LYING IN THE MIDDLE PORTION OF SEC 22-4S-16 CONTAINING 31.65 AC’S, RECORDED ON 4/18/08 IN PLAT BOOK 9 PAGES 66 & 67.

LOT 1	21-4S-16-03087-101	.66 AC.
LOT 2	21-4S-16-03087-102	.72 AC.
LOT 3	21-4S-16-03087-103	.71 AC.
LOT 4	21-4S-16-03087-104	.71 AC.
LOT 5	21-4S-16-03087-105	.71 AC.
LOT 6	21-4S-16-03087-106	.71 AC.
LOT 7	21-4S-16-03087-107	.71 AC.
LOT 8	21-4S-16-03087-108	.69 AC.
LOT 9	21-4S-16-03087-109	.63 AC.
LOT 10	22-4S-16-03087-110	.67 AC.
LOT 11	22-4S-16-03087-111	.69 AC.
LOT 12	22-4S-16-03087-112	.69 AC.
LOT 13	22-4S-16-03087-113	.69 AC.
LOT 14	22-4S-16-03087-114	.68 AC.
LOT 15	22-4S-16-03087-115	.67 AC.
LOT 16	22-4S-16-03087-116	.67 AC.
LOT 17	22-4S-16-03087-117	.70 AC.
LOT 18	22-4S-16-03087-118	.73 AC.
LOT 19	22-4S-16-03087-119	.71 AC.
LOT 20	22-4S-16-03087-120	.73 AC.
LOT 21	22-4S-16-03087-121	.73 AC.
LOT 22	22-4S-16-03087-122	.73 AC.
LOT 23	22-4S-16-03087-123	.73 AC.
LOT 24	22-4S-16-03087-124	1.07 AC.
LOT 25	21-4S-16-03087-125	.87 AC.
LOT 26	21-4S-16-03087-126	.68 AC.
LOT 27	21-4S-16-03087-127	.68 AC.
LOT 28	21-4S-16-03087-128	.68 AC.
LOT 29	21-4S-16-03087-129	.68 AC.
LOT 30	21-4S-16-03087-130	.68 AC.
LOT 31	21-4S-16-03087-131	.69 AC.
LOT 32	21-4S-16-03087-132	.69 AC.
LOT 33	22-4S-16-03087-133	.70 AC.

RETENTION AREA – 21-4S-16-03087-099 3.85 AC.